

AXIAL PISTON SWING MOTOR

PSM SERIES

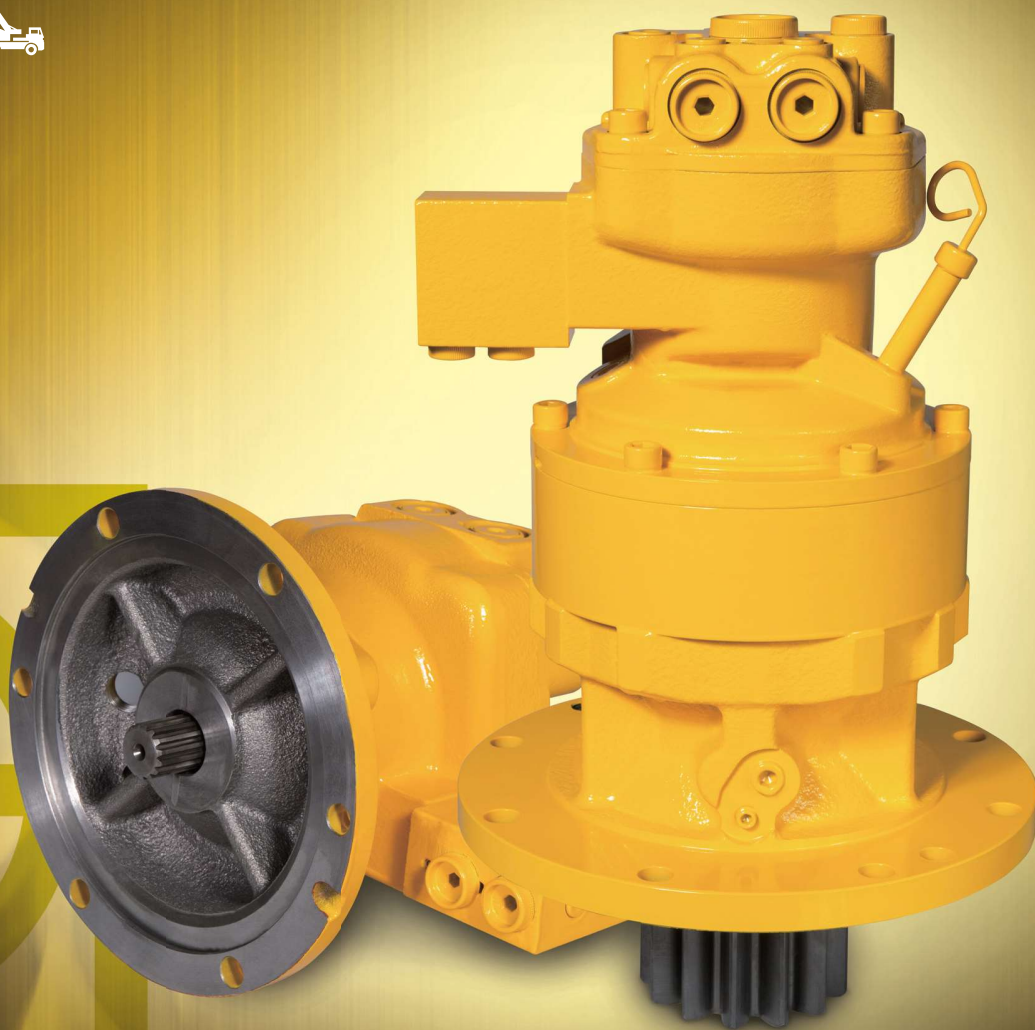
PSM-36-02-R19

The PSM Series is an axial swash type piston motor which is used for swing of industrial machinery and industrial vehicles.

The mechanical brake relief valve and the make-up valve being built in, the swing movement of the motor is very smooth. The motor is made compact by arraying the motor, brake, and valve in a proper manner. High capacity and reliability have been realized by optimizing the design of the motor and the valves. Using the shockless valve has been minimized by absorbing changes in pressure and torque which may occur when the motor stops operation.

PSM系列是旋转斜盘式活塞马达，可用于建筑机械，工业车辆的旋回用途。

它配有机械制动安全阀和补偿阀，可平滑完成转动动作。通过合理布置马达、制动装置和阀门，重量更轻。优化的马达和阀门，实现高性能和高可靠性。吸收启动和停止时可能出现的压力波动扭矩波动，最大限度地减少了机械冲击。



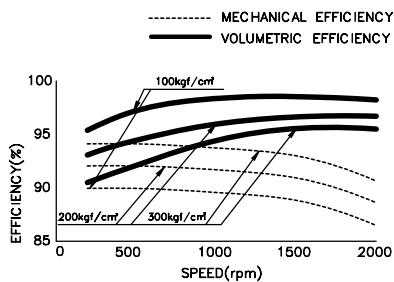
PSM-36-02-R19



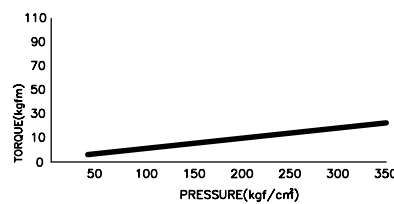
► Specification

DISPLACEMENT (cc/rev)	OUTPUT TORQUE (kgf·m)	BRAKE TORQUE (kgf·m)	GEAR RATIO	MOTOR								WEIGHT (kg)
				DISPLACEMENT (cc/rev)	SET PRESSURE OF RELIEF VALVE (kgf/cm ²)	SPEED (rpm)	TORQUE (kgf·m)	BRAKE TORQUE (kgf·m)	BRAKE RELEASE PRESSURE (kgf/cm ²)	TIME DELAY (sec)	MAX FLOW (ℓ/min)	
701	280	272.5	19.464	36	235	2292	14.32	14	20 ~ 40	6	82.5	73.0

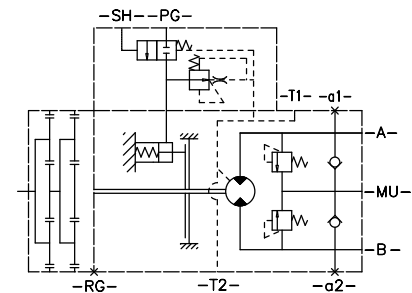
► Performance Curve



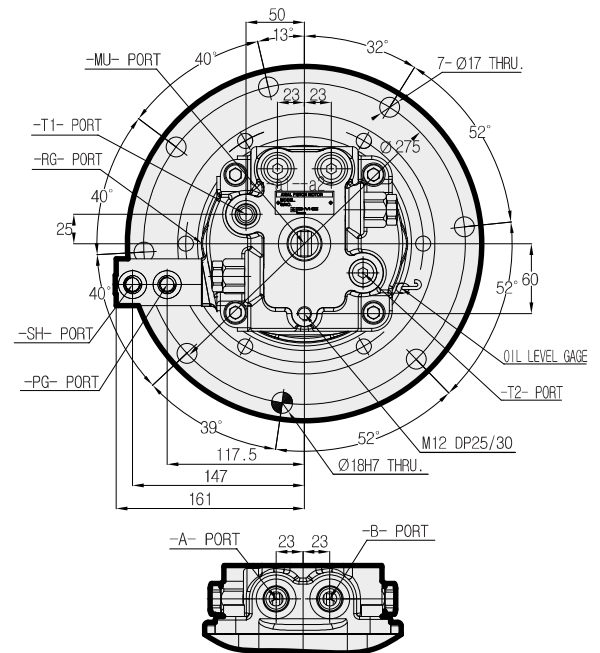
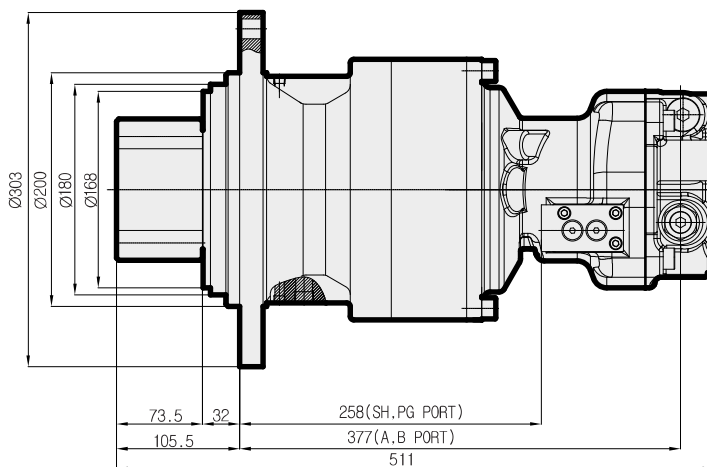
► Output Torque



► Circuit



► Dimensions



► Port Size

INLET /OUTLET PORT	CASE DRAIN PORT	PRESSURE GAGE PORT	MAKE UP PORT	PARKING BRAKE PORT	PARKING BRAKE PILOT PORT	GEAR OIL INLET PORT
PF 1/2(A, B)	PF 3/8(T1, T2)	PF 1/4(a1, a2)	PF 3/4(MU)	PF 1/4(PG)	PF 1/4(SH)	PT 1/2(RG)

► Dimensions of Shaft

NO. OF TEETH	PRESSURE ANGLE	MODULE	RULE
12	20°	8	JIS